

1

2

3

4

5

6

A

B

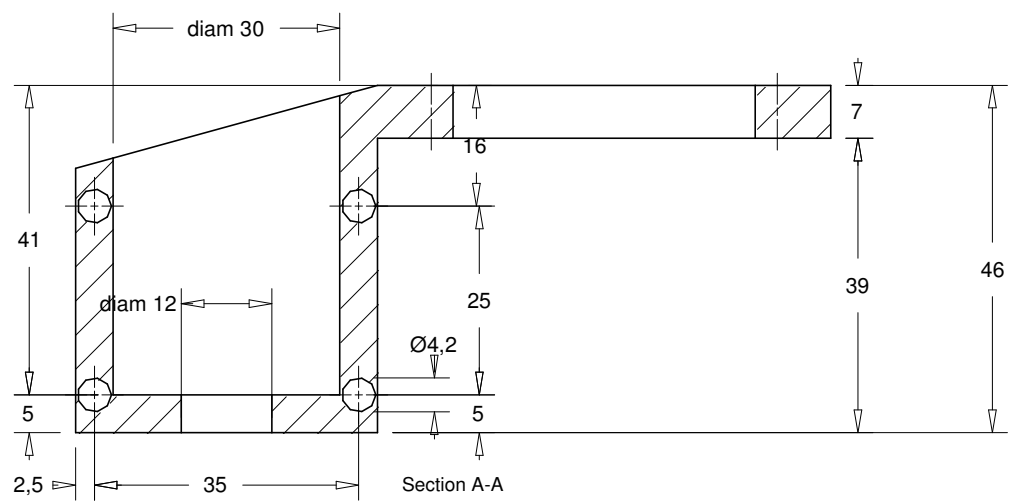
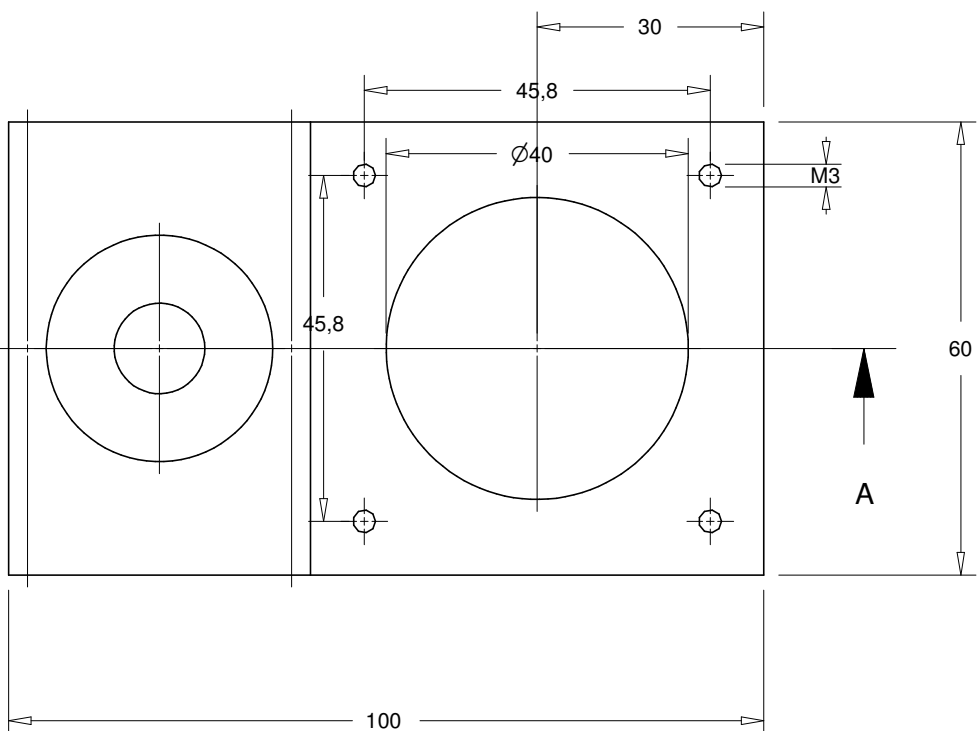
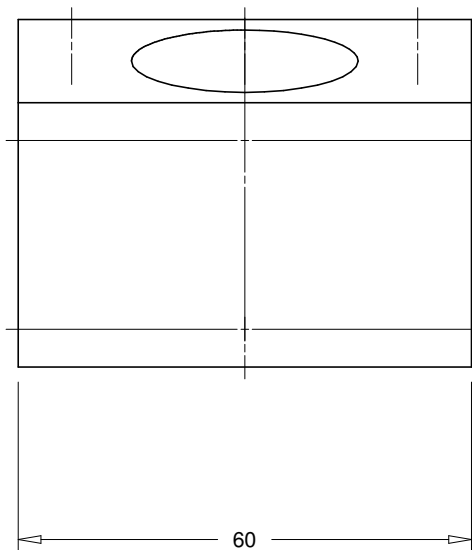
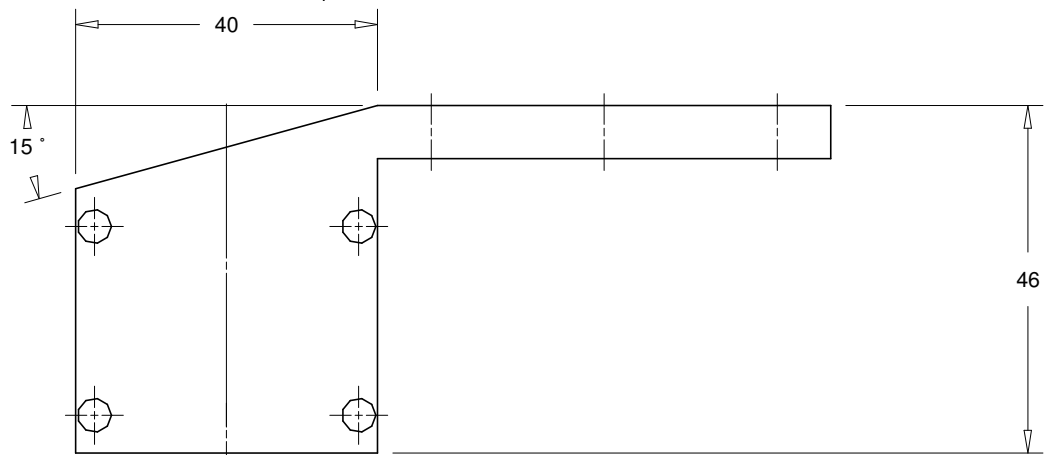
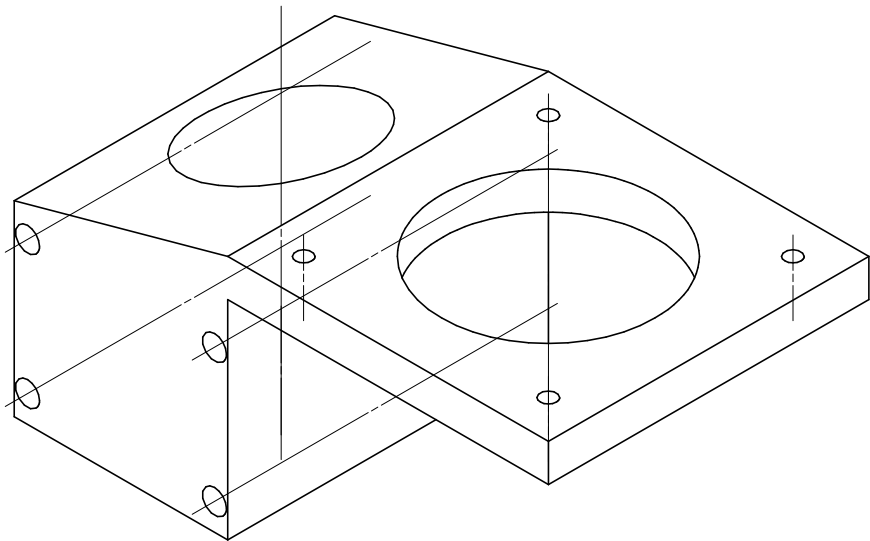
C

D

E

F

G



Drawn by: cvdw

Client:

Date: 27/02/2015

Material: Alu

Toleranties: DIN7168 mittel

Heading:

Motor- en Lagerzitting

Z-as

Formaat: A4

Scale:

Dwg nr.: 150227/02

**CONSTRUCTION
VAN DE WALLE**

J.Parijslaan 30

B-9940 EVERGEM

Belgium

tel: +32.92.53.58.58

fax: +32.92.53.71.72

mailto:ghislain@vdwalle.com

H